

# UNILIFT CC

## SUBMERSIBLE DRAINAGE PUMP

2  
YEAR  
WARRANTY

### WATER SOURCE



Clean Water



Storm/  
Grey Water

### APPLICATION



Clean Water  
Drainage



Storm/Grey  
Water Handling

- **Able to pump down to just 3 mm of water**, making it perfect for emptying pools, ponds, wells or tanks
- **Suitable for fully or partially submerged use**
- **High quality, composite and stainless steel construction**
- Suitable for **permanent installation** or as a **light weight portable pump**



### MAXIMUM PARTICLE SIZE

It's a good idea to check your water source to make sure it doesn't contain dirt, fibres, plant or other material larger than **10 mm**.

If it does, you might need a drainage pump capable of handling larger particle sizes like the one's below.

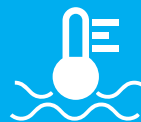


### CONTROL & PROTECTION FEATURES



#### FLOAT SWITCH

External float that either turns your pump on or off based on the water level - this prevents overflowing and dry-running.



#### SELF-COOLING MOTOR

The pump is cooled by water being pumped, protecting it from overheating, even when only partially submerged.

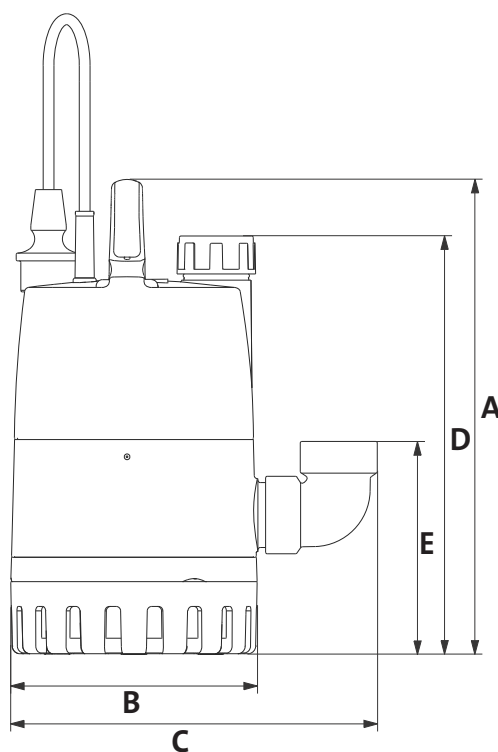
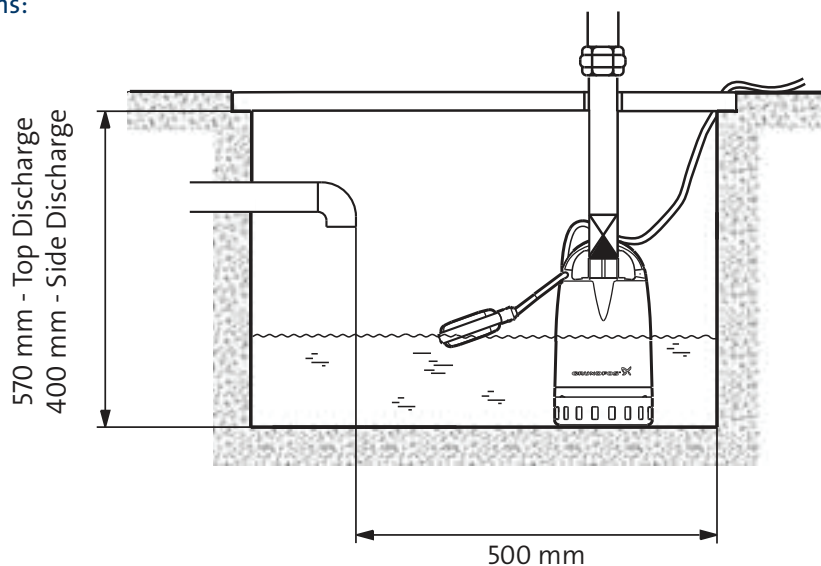
be  
think  
innovate

GRUNDFOS 

## FIND SPACE FOR YOUR PUMP

If you are planning to install the UNILIFT CC in a drainage pit and will rely on the float switch to automatically start and stop your pump, a minimum amount of space in the pit is required for free movement of the float.

See below pit dimensions:



Model	Connections		Dimensions (mm)				
	Outlet (Top)*	Outlet (Side)	A (h)	B (w1)	C (w2)	D (outlet 1)	E (outlet 2)
UNILIFT CC 5	¾", 1" or 1¼" Male	1¼" Female	306	160	238	270	90
UNILIFT CC 7			306	160	238	270	90
UNILIFT CC 9			342	160	238	308	90

\* Outlet adapter kit in box