

UNILIFT AP 35 & 50

2
YEAR
WARRANTY

HEAVY DUTY, SUBMERSIBLE STAINLESS STEEL GREY WATER PUMP

WATER SOURCE



Storm/
Grey Water

APPLICATION



Storm/Grey
Water Handling

- **Highly corrosion resistant stainless steel construction inside and out**
- Ideal for draining **dirty storm water** or **grey water** with larger fibrous particles
- **Suitable for fully or partially submerged use**
- **Available with or without float switch**
- Suitable for **permanent installation** or as a **portable pump**



MAXIMUM PARTICLE SIZE

It's a good idea to check your water source to make sure it doesn't contain dirt, fibres, plant or other material that is larger than **35 mm (AP 35)**. If you require a drainage pump capable of larger particle sizes, up to **50 mm** the **AP 50** is recommended.

If you need to handle particles larger than **50 mm**, please speak to your authorised Grundfos dealer.



AP 50 & AP 50B
50 mm

CONTROL & PROTECTION FEATURES



FLOAT SWITCH

External float that either turns your pump on or off based on the water level - this prevents overflowing and dry-running.



SELF-COOLING MOTOR

The pump is cooled by water being pumped, protecting it from overheating, even when only partially submerged.

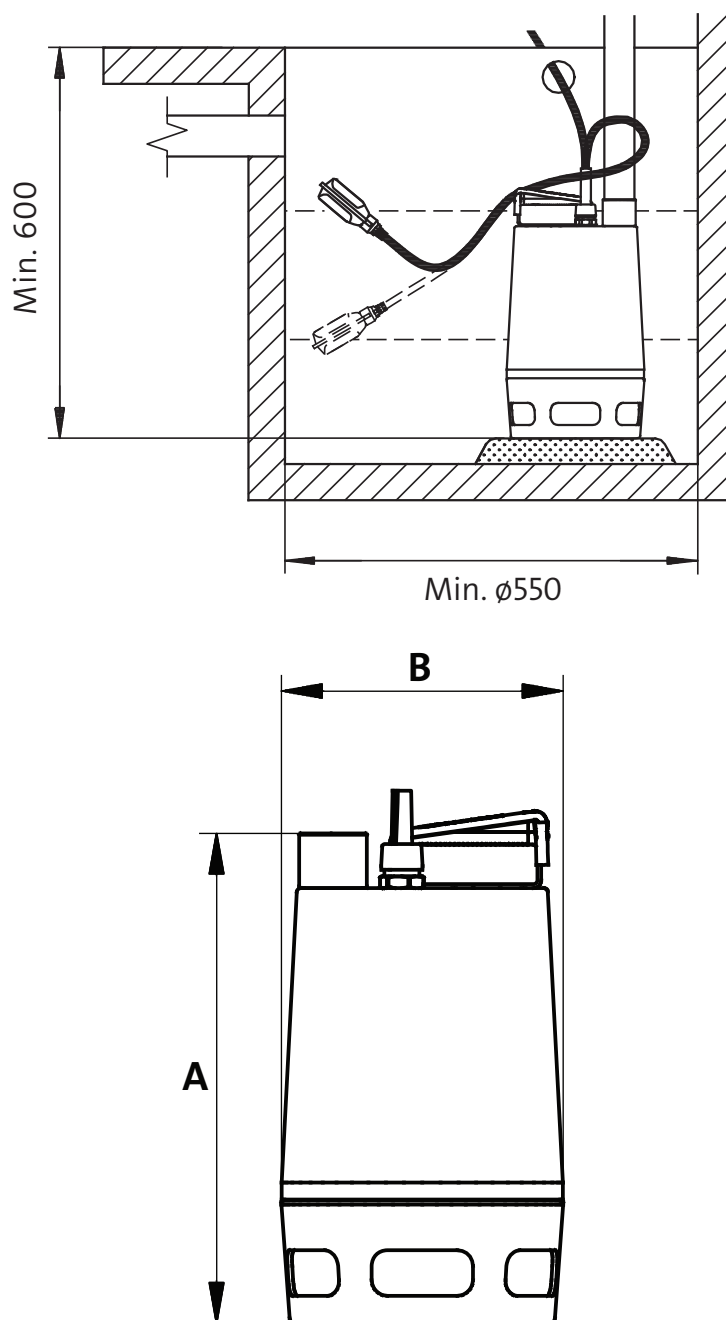
be
think
innovate

GRUNDFOS

FIND SPACE FOR YOUR PUMP

If you are planning to install the UNILIFT AP 35 & 50 in a drainage pit and will rely on the float switch to automatically start and stop your pump, a minimum amount of space in the pit is required for free movement of the float.

See below pit dimensions:



Model	Connection Outlet	Dimensions (mm)	
		A (h)	B (w)
UNILIFT AP 35.40.06	1½" Female	376	216
UNILIFT AP 35.40.08		410	216
UNILIFT AP 50.50.08	2" Female	436	241
UNILIFT AP 50.50.11		436	241